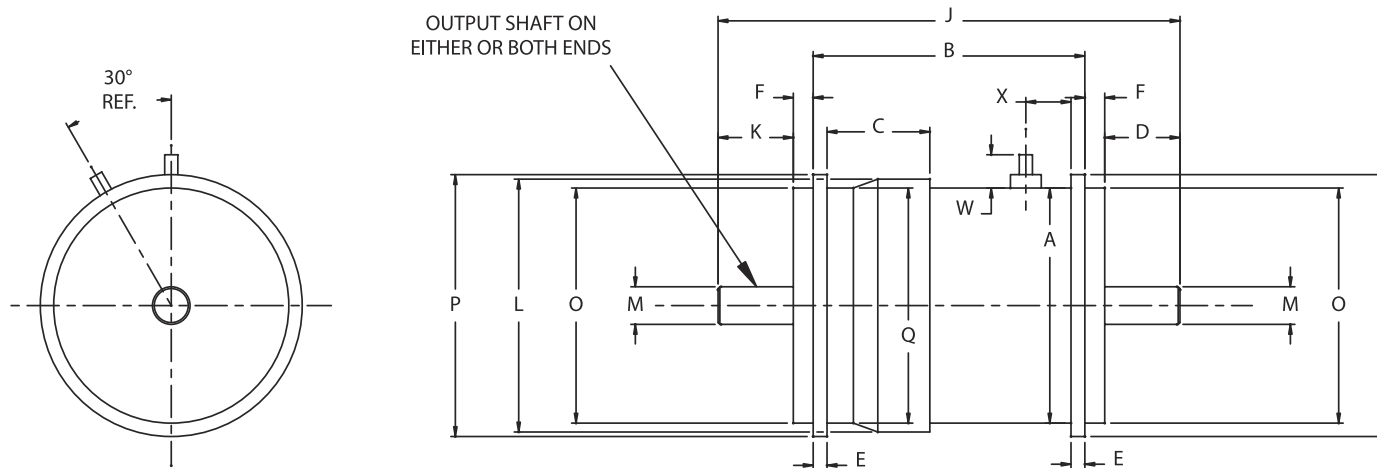


SPECIFICATIONS

		B-4	B-6	B-8	B-10	B-12
Weight (Nominal)	<i>Oz.</i>	0.7	2.1	4.5	7.5	13.7
Volts	<i>D.C.</i>	24 to 28	24 to 28	24 to 28	24 to 28	24 to 28
Coil Resistance $\pm 10\%$	<i>Ohms</i>	246.0	193.0	169.0	150.0	144.0
Brake Torque Minimum @ 24 V.D.C.	<i>Oz. In.</i>	6.0	35.0	90.0	140.0	272.0
Response Time @ 28 V.D.C. (Energize)	<i>MS Nom.</i>	5.0	9.0	11.0	23.0	43.0
Maximum No Load Torque (Drag)	<i>Oz. In.</i>	.05	.10	.10	.10	.30
Polar Moment of Inertia - Output Shaft	<i>In. Lb. Sec²</i>	$.26 \times 10^{-6}$	1.2×10^{-6}	6.1×10^{-6}	11.9×10^{-6}	46.8×10^{-6}



DIMENSIONAL DATA

	A	B	C	D	E	F	J	K	L	M*	O*	P	Q	W	X
Model	$\pm .010$	$\pm .015$	$\pm .010$	$\pm .020$	$+.003$ $-.000$	$\pm .005$	$\pm .015$	$\pm .020$	$\pm .005$	$+.0000$ $-.0005$	$+.0000$ $-.0005$	$+.000$ $-.005$	$\pm .005$	REF	REF
B-4	.531	.810	.298	.300	.047	.060	1.530	.300	.578	.0935	.5000	.594	.530	.150	.200
B-6	.750	1.140	.343	.300	.060	.100	1.940	.300	.796	.1248	.7500	.827	.750	.229	.254
B-8	1.000	1.390	.424	.375	.060	.100	2.340	.375	1.080	.1248	1.0000	1.090	1.000	.224	.257
B-10	1.250	1.493	.450	.375	.060	.125	2.493	.375	1.350	.1873	1.2500	1.370	1.250	.221	.255
B-12	1.562	1.805	.683	.500	.092	.132	3.069	.500	1.680	.2498	1.5620	1.740	1.562	.221	.300

* Concentric within .0015 T.I.R.