

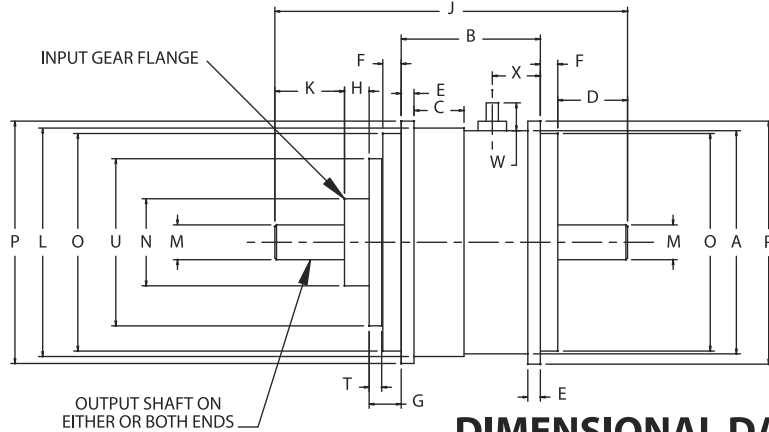
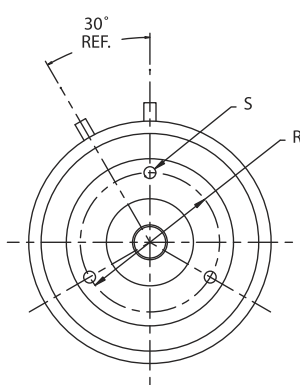


# PANCAKE MB CLUTCH BRAKE



## SPECIFICATIONS

		MB-26	MB-28	MB-30	MB-32	MB-34
Weight (Nominal)	<i>Oz.</i>	1.3	2.4	3.9	7.4	10.5
Volts	<i>D.C.</i>	24 to 28	24 to 28	24 to 28	24 to 28	24 to 28
Coil Resistance $\pm 10\%$	<i>Ohms</i>	275.0	169.0	165.0	151.0	138.0
Clutch Torque Minimum	<i>Oz. In.</i>	3.0	12.0	16.0	32.0	80.0
Brake Torque Minimum @ 24 V.D.C.	<i>Oz. In.</i>	5.0	16.0	16.0	32.0	100.0
Response Time @ 28 V.D.C. (Energize)	<i>MS Nom.</i>	7.0	8.0	10.0	14.0	20.0
Maximum No Load Torque (Drag) Energized	<i>Oz. In.</i>	.10	.10	.14	.18	.20
Maximum No Load Torque (Drag) De-energized	<i>Oz. In.</i>	.20	.20	.30	.40	.50
Polar Moment of Inertia - Input Gear Flange	<i>In. Lb. Sec<sup>2</sup></i>	$2.5 \times 10^{-6}$	$4.7 \times 10^{-6}$	$11.5 \times 10^{-6}$	$36.6 \times 10^{-6}$	$56.7 \times 10^{-6}$
Polar Moment of Inertia - Output Shaft	<i>In. Lb. Sec<sup>2</sup></i>	$1.2 \times 10^{-6}$	$5.2 \times 10^{-6}$	$10.7 \times 10^{-6}$	$35.4 \times 10^{-6}$	$57.8 \times 10^{-6}$



## DIMENSIONAL DATA

	A	B	C	D	E	F	G	H	J	K	L	M*	N*	O*	P	P'	R	S	T	U	W	X
Model	$\pm .010$	$\pm .015$	$\pm .010$	$\pm .020$	$+.003$ $-.000$	$\pm .005$	$\pm .005$	$\pm .005$	$\pm .015$	$\pm .020$	$\pm .005$	$+.0000$ $-.0005$	$+.0000$ $-.0005$	$+.0000$ $-.0005$	$+.000$ $-.005$	$+.000$ $-.005$	$\pm .005$	<b>2B</b> <b>THD</b>	$\pm .002$	$\pm .005$	REF	REF
MB-26	.800	.500	.238	.300	.047	.100	.175	.120	1.495	.300	.845	.1248	.3750	.7500	.877	.920	.625	#2-56	.061	.740	.220	.065
MB-28	1.025	.500	.220	.300	.060	.100	.175	.120	1.495	.300	1.105	.1248	.3750	1.0000	1.115	1.195	.625	#2-56	.061	.740	.230	.065
MB-30	1.250	.625	.315	.375	.060	.125	.203	.177	1.880	.375	1.350	.1873	.5000	1.2500	1.370	1.470	.750	#2-56	.064	.934	.218	.065
MB-32	1.500	.750	.390	.500	.060	.125	.230	.177	2.282	.500	1.600	.2498	.6250	1.5000	1.620	1.718	1.000	#2-56	.090	1.200	.210	.065
MB-34	1.650	1.000	.359	.500	.090	.125	.230	.177	2.532	.500	1.745	.2498	.6250	1.5620	1.740	1.853	1.000	#2-56	.090	1.200	.200	.255

\* Concentric within .0015 T.I.R.

## ISO 9001:2015 and AS9100D

We Are Your Source for Custom, American Made Precision Miniature Electromagnetic Clutches, Brakes, Solenoids, and Torque Indicators.